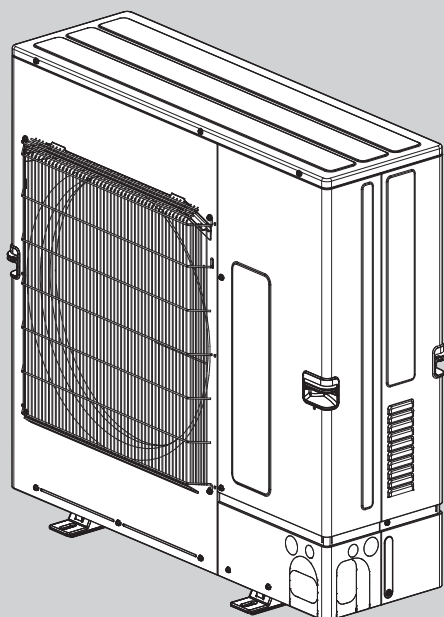


# PARTS CATALOG

**R32**
**Outdoor unit  
[Model Name]**
**[Service Ref.]**

PUZ-M100VKA	<b>PUZ-M100VKA.TH</b>
PUZ-M100VKA-ET	<b>PUZ-M100VKA-ET.TH</b>
PUZ-M125VKA	<b>PUZ-M125VKA.TH</b>
PUZ-M125VKA-ET	<b>PUZ-M125VKA-ET.TH</b>
PUZ-M140VKA	<b>PUZ-M140VKA.TH</b>
PUZ-M140VKA-ET	<b>PUZ-M140VKA-ET.TH</b>
PUZ-M100YKA	<b>PUZ-M100YKA.TH</b>
PUZ-M100YKA-ET	<b>PUZ-M100YKA-ET.TH</b>
PUZ-M125YKA	<b>PUZ-M125YKA.TH</b>
PUZ-M125YKA-ET	<b>PUZ-M125YKA-ET.TH</b>
PUZ-M140YKA	<b>PUZ-M140YKA.TH</b>
PUZ-M140YKA-ET	<b>PUZ-M140YKA-ET.TH</b>




---

**CONTENTS**


---

1. SERVICE PARTS LIST ..... 2

**SERVICE MANUAL (OCH707)**

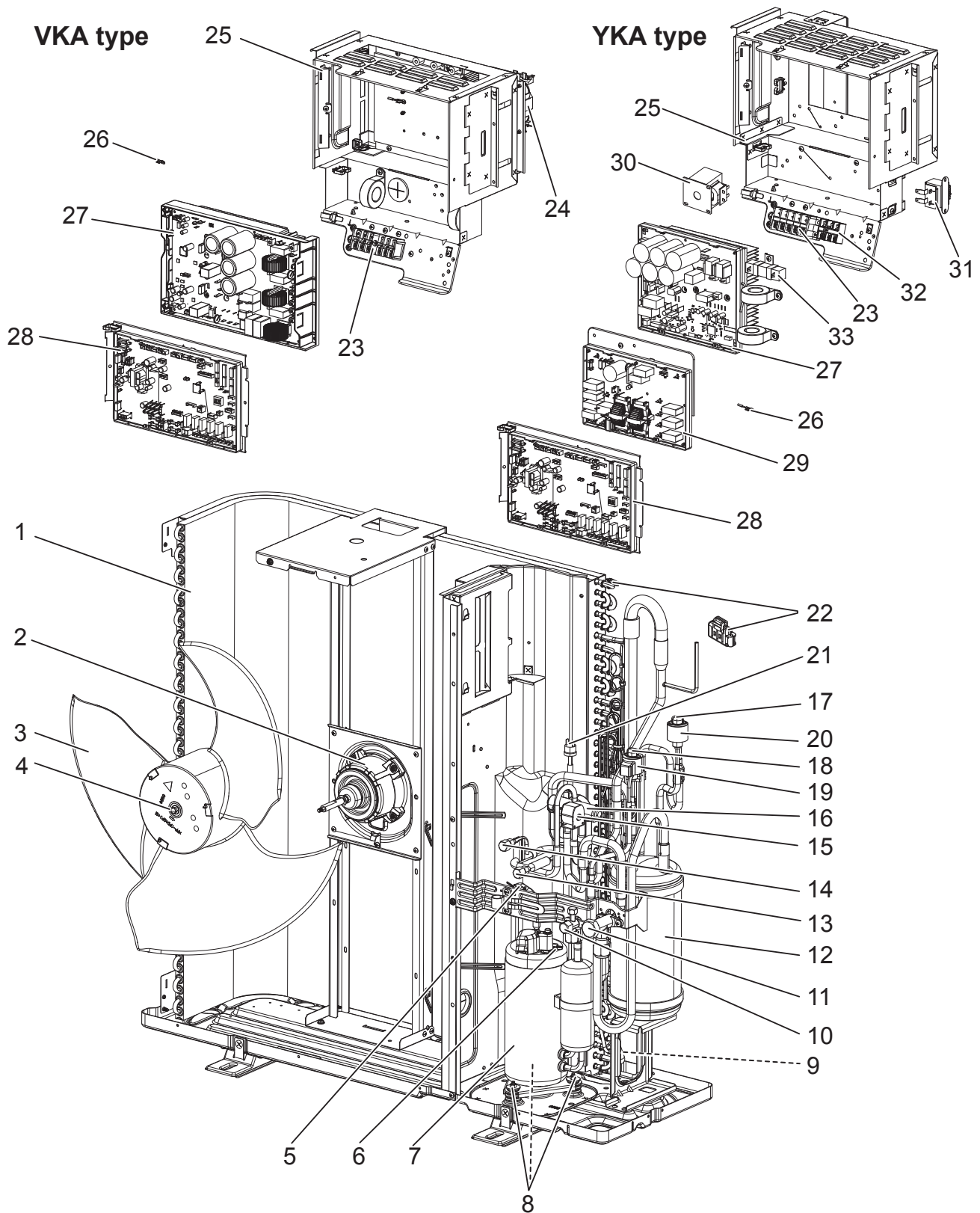
**FUNCTIONAL AND ELECTRICAL PARTS**

**PUZ-M100VKA.TH**

**PUZ-M100VKA-ET.TH**

**PUZ-M100YKA.TH**

**PUZ-M100YKA-ET.TH**

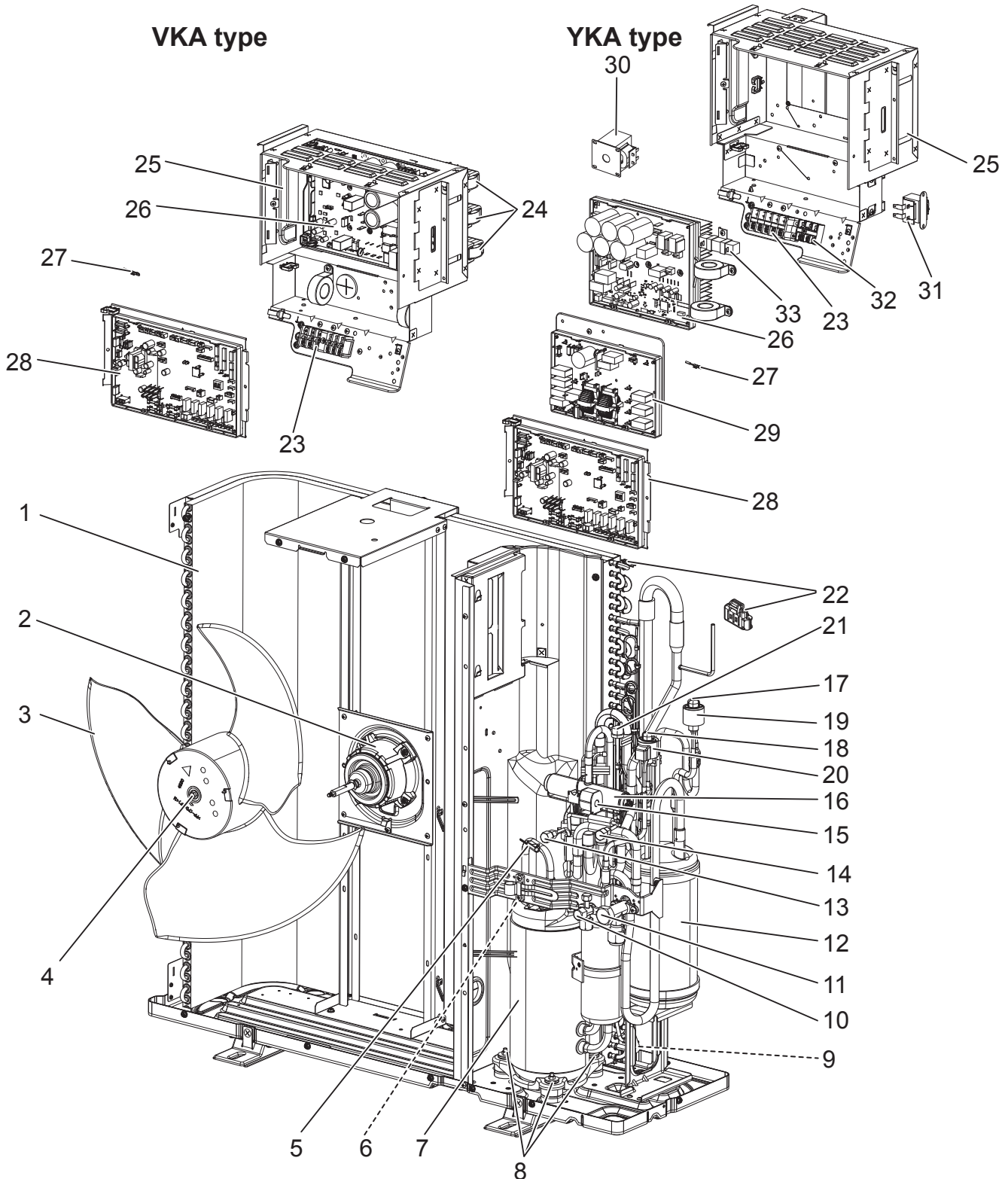


Parts numbers that are circled are not shown in the figure.

No.	Part No.	Part Name	Specification	Q'ty/unit				Remarks (Drawing No.)	Wiring Diagram Symbol
				PUZ-M100YKA.TH	PUZ-M100YKA-ET.TH	PUZ-M100YKA.TH	PUZ-M100YKA-ET.TH		
1	E27 J26 630	OUTDOOR HEAT EXCHANGER		1	1	1	1		
2	E27 F03 301	OUTDOOR FAN MOTOR		1	1	1	1		MF1
3	E27 942 501	PROPELLER FAN		1	1	1	1	1PC/SET	
4	E27 A15 508	PROPELLER FAN NUT		1	1	1	1		
5	E27 E34 307	THERMISTOR (DISCHARGE)		1	1	1	1		TH4
6	E27 E33 307	THERMISTOR (COMP. SURFACE)		1	1	1	1		TH33
7	E27 N51 900	COMPRESSOR SVB220FBGMT		1	1			SVB220FBGMT	MC
	E27 M96 900	COMPRESSOR SVB220FBAMT				1	1	SVB220FBAMT	MC
8	E22 C34 506	COMPRESSOR RUBBER SET		3	3	3	3	3PCS/SET	
9	E27 944 307	THERMISTOR (OUTDOOR LIQUID PIPE)		1	1	1	1		TH3
10	E27 942 661	STOP VALVE (LIQUID)		1	1	1	1	3/8 F	
11	E27 E33 661	STOP VALVE (GAS)		1	1	1	1	5/8 F	
12	E27 M96 959	POWER RECEIVER		1	1	1	1		
13	E27 942 641	CHARGE PLUG		1	1	1	1		
14	E27 943 641	CHARGE PLUG		1	1	1	1		
15	E27 J26 490	R.V. COIL		1	1	1	1	21S4	
16	E22 J61 961	4-WAY VALVE		1	1	1	1		
17	E27 M96 645	LEV-A ASSY		1	1	1	1		
18	E27 M97 645	LEV-B ASSY		1	1	1	1		
19	E27 J27 493	LINEAR EXPANSION VALVE COIL		1	1	1	1	LEV-B	
20	E27 J26 493	LINEAR EXPANSION VALVE COIL		1	1	1	1	LEV-A	
21	E27 942 646	HIGH PRESSURE SWITCH		1	1	1	1	4.14 MPA	63H
22	E27 J26 307	THERMISTOR (OUTDOOR 2 PHASE PIPE, AMBIENT)		1	1	1	1		TH6,7
23	E27 E45 374	TERMINAL BLOCK		1	1			6P (L,N,G,S1,S2,S3)	TB1
	E27 943 374	TERMINAL BLOCK				1	1	5P (L1,L2,L3,N,G)	TB1
24	E27 J26 337	REACTOR		1	1				DCL
25	—	ELECTRICAL BOX		1	1			BK00N051G34	
	—	ELECTRICAL BOX				1	1	BK00N051G36	
26	E27 E45 307	THERMISTOR (HEAT SINK)		1	1				TH8
	E27 E35 307	THERMISTOR (HEAT SINK)				1	1		TH8
27	E27 J26 440	POWER BOARD		1	1				P.B.
	E27 J27 440	POWER BOARD				1	1		P.B.
28	E27 M96 450	OUTDOOR CONTROL P.C.BOARD		1	1	1	1		C.B.
29	E27 J27 444	NOISE FILTER CIRCUIT BOARD				1	1		NF
30	E27 943 337	REACTOR				1	1		DCL
31	E27 945 337	REACTOR				1	1		ACL4
32	E22 C92 375	TERMINAL BLOCK				1	1	3P (S1,S2,S3)	TB2
33	E27 E33 360	RESISTOR				1	1		RS
34	E27 648 382	FUSE (T6.3AL 250)		4	4	4	4		F1, F2, F3, F4
35	—	SENSOR HOLDER		1	1	1	1	BK25N082G05	
36	—	BOARD CASE POWER		1	1			RK00C783G02	
	—	BOARD CASE POWER				1	1	BK25N048G03	
37	—	BOARD CASE CONT		1	1	1	1	BK25N043G03	
38	—	BOARD CASE NF				1	1	BK25N049G04	
39	—	HEAT SINK		1	1			BK11N530H02	
	—	HEAT SINK				1	1	BK11J826H03	
40	—	LEAD ASSY COMP		1	1			RG78F385G03	
	—	LEAD ASSY COMP				1	1	RG78F200G01	
41	—	COMP FELT (TOP)		1	1	1	1	RK33G130H03	
42	—	COMP FELT (BODY)		1	1	1	1	RK33B247H04	
43	E27 L67 530	HEX TOP CUSHION SET		1	1	1	1		

**FUNCTIONAL AND ELECTRICAL PARTS**  
**PUZ-M125VKA.TH**  
**PUZ-M125VKA-ET.TH**  
**PUZ-M140VKA.TH**  
**PUZ-M140VKA-ET.TH**

**PUZ-M125YKA.TH**  
**PUZ-M125YKA-ET.TH**  
**PUZ-M140YKA.TH**  
**PUZ-M140YKA-ET.TH**



Parts numbers that are circled are not shown in the figure.

No.	Part No.	Part Name	Specification	Q'ty/unit				Remarks (Drawing No.)	Wiring Diagram Symbol
				PUZ-M125VKA(-ET).TH	PUZ-M140VKA(-ET).TH	PUZ-M125YKA(-ET).TH	PUZ-M140YKA(-ET).TH		
1	E 27 J 26 630	HEAT EXCHANGER		1	1	1	1		
2	E 27 F 03 301	FAN MOTOR		1	1	1	1		MF1
3	E 27 9 42 501	PROPELLER FAN		1	1	1	1	1PC/SET	
4	E 27 A 15 508	PROPELLER FAN NUT		1	1	1	1		
5	E 27 E 34 307	THERMISTOR		1	1	1	1		TH4
6	E 27 E 33 307	THERMISTOR		1	1	1	1		TH33
7	E 27 M 97 900	COMPRESSOR MVB33FBVMC		1	1	1	1	MVB33FBVMC	MC
8	E 22 2 67 506	COMPRESSOR RUBBER MOUNT		3	3	3	3	3PCS/SET	
9	E 27 9 44 307	THERMISTOR		1	1	1	1		TH3
10	E 27 9 42 661	STOP VALVE 3/8F		1	1	1	1	3/8"	
11	E 27 E 33 661	STOP VALVE 5/8F		1	1	1	1	5/8"	
12	E 27 M 96 959	POWER RECEIVER		1	1	1	1		
13	E 27 9 42 6 4 1	CHARGE PLUG		1	1	1	1		
14	E 27 9 42 6 4 1	CHARGE PLUG		1	1	1	1		
15	E 27 J 26 490	SOLENOID COIL		1	1	1	1	21S4	
16	E 27 M 97 961	4-WAY VALVE		1	1	1	1		
17	E 27 M 96 645	LEV-A ASSY		1	1	1	1		
18	E 27 M 97 645	LEV-B ASSY		1	1	1	1		
19	E 27 J 26 493	LEV COIL		1	1	1	1	LEV-A	
20	E 27 J 27 493	LEV COIL		1	1	1	1	LEV-B	
21	E 27 9 42 6 4 6	HIGH PRESSURE SWITCH		1	1	1	1	4.14 MPA	63H
22	E 27 J 26 307	THERMISTOR-W		1	1	1	1		TH6,7
23	E 27 E 45 374	TERMINAL BLOCK		1	1			6P (L,N,G,S1,S2,S3)	TB1
	E 27 9 43 374	TERMINAL BLOCK				1	1	5P (L1,L2,L3,N,G)	TB1
24	E 27 E 45 337	REACTOR		3	3			3PCS/SET	DCL1, DCL2, DCL3
25	—	ELECTRICAL PARTS BOX		1	1			BK00N051G35	
	—	ELECTRICAL PARTS BOX				1	1	BK00N051G36	
26	E 27 E 45 440	POWER CIRCUIT BOARD		1	1				P.B.
	E 27 E 33 440	POWER CIRCUIT BOARD				1	1		P.B.
27	E 27 E 45 307	THERMISTOR		1	1				TH8
	E 27 E 35 307	THERMISTOR				1	1		TH8
28	E 27 M 96 450	CONTROLLER CIRCUIT BOARD		1	1	1	1		C.B.
29	E 27 J 27 444	NOISE FILTER CIRCUIT BOARD				1	1		NF
30	E 27 9 43 337	REACTOR				1	1		DCL
31	E 27 9 45 337	REACTOR				1	1		ACL4
32	E 22 C 92 375	TERMINAL BLOCK				1	1	3P (S1,S2,S3)	TB2
33	E 27 E 33 360	RESISTOR				1	1		RS
34	E 27 6 48 382	FUSE<T6.3AL250V)		4	4	4	4		F1, F2, F3, F4
35	—	SENSOR HOLDER		1	1	1	1	BK25N082G05	
36	—	BOARD CASE POWER		1	1			RK00C783G02	
	—	BOARD CASE POWER				1	1	BK25N048G03	
37	—	BOARD CASE CONT		1	1	1	1	BK25N043G03	
38	—	BOARD CASE NF				1	1	BK25N049G04	
39	—	HEAT SINK		1	1			BK11N530H02	
	—	HEAT SINK				1	1	BK11J826H03	
40	—	LEAD ASSY COMP		1	1			RG78F208G01	
	—	LEAD ASSY COMP				1	1	RG78F122G04	
41	—	COMP FELT(TOP)		1	1	1	1	RK33G131H03	
42	—	COMP FELT(BODY)		1	1	1	1	RK33B248H02	
43	E 27 L 67 530	HEX TOP CUSHION SET		1	1	1	1		

## STRUCTURAL PARTS

PUZ-M100VKA.TH

PUZ-M125VKA.TH

PUZ-M140VKA.TH

PUZ-M100YKA.TH

PUZ-M125YKA.TH

PUZ-M140YKA.TH

PUZ-M100VKA-ET.TH

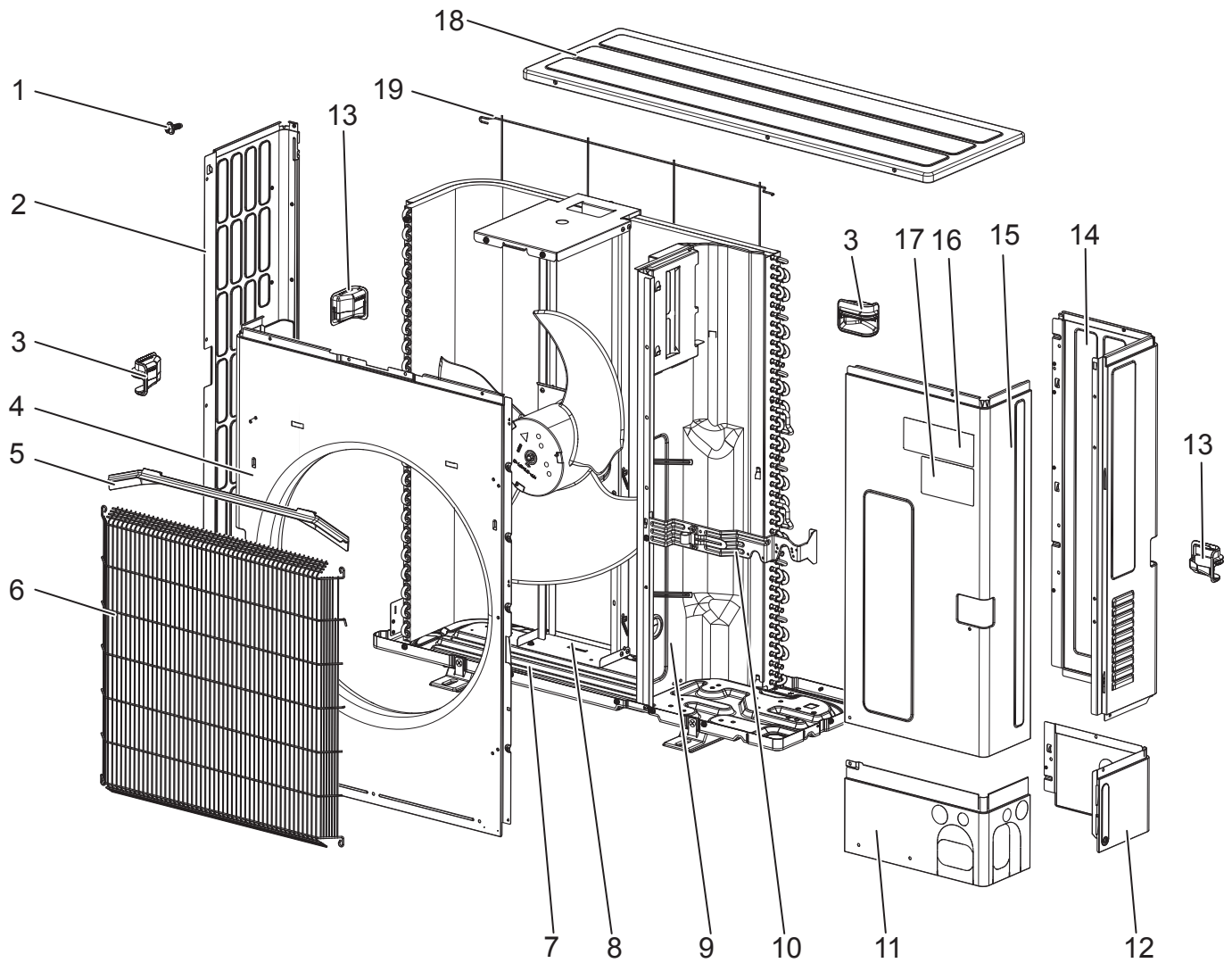
PUZ-M125VKA-ET.TH

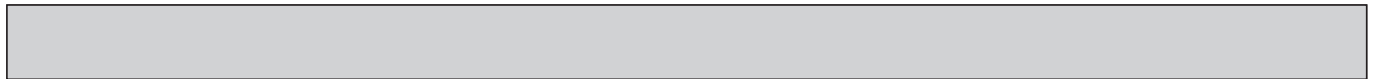
PUZ-M140VKA-ET.TH

PUZ-M100YKA-ET.TH

PUZ-M125YKA-ET.TH

PUZ-M140YKA-ET.TH





No.	Parts No.	Parts Name	Specification	Q'ty/unit						Remarks (Drawing No.)
				PUZ-M100VKA(-ET).TH	PUZ-M125VKA(-ET).TH	PUZ-M140VKA(-ET).TH	PUZ-M100YKA(-ET).TH	PUZ-M125YKA(-ET).TH	PUZ-M140YKA(-ET).TH	
1	E27 942 250	F.ST SCREW	(5 × 12)	40	40	40	40	40	40	
2	E27 E33 086	SIDE PANEL (L )		1	1	1	1	1	1	
3	E27 942 009	HANDLE (FRONT)		2	2	2	2	2	2	1PC/SET
4	E27 H93 232	FRONT PANEL		1	1	1	1	1	1	
5	E27 A15 531	ICE GUARD		1	1	1	1	1	1	
6	E27 H93 521	FAN GRILLE		1	1	1	1	1	1	
7	E27 J26 290	BASE ASSY		1			1			
	E27 E33 290	BASE ASSY			1	1		1	1	
8	E27 J26 515	MOTOR SUPPORT		1	1	1	1	1	1	
9	E27 E33 293	SEPARATOR		1	1	1	1	1	1	
10	—	STOP VALVE BED		1	1	1	1	1	1	RK00B378G03
11	E27 E33 006	COVER PANEL (FRONT)		1	1	1	1	1	1	
12	E27 J26 006	COVER PANEL (REAR)		1	1	1	1	1	1	
13	E27 943 009	HANDLE (REAR)		2	2	2	2	2	2	
14	E27 J26 085	SIDE PANEL (R)		1			1			
	E27 M97 085	SIDE PANEL (R)			1	1		1	1	
15	E27 J26 245	SERVICE PANEL		1			1			
	E27 M97 245	SERVICE PANEL			1	1		1	1	
16	—	LABEL (MITSUBISHI)		1	1	1	1	1	1	BT79L338H01
17	—	LABEL (SLIM)		1	1	1	1	1	1	BT79L209H01
18	E27 E33 297	TOP PANEL		1	1	1	1	1	1	
19	E27 E33 523	REAR GUARD		1	1	1	1	1	1	

**Mr. SLIM**

**mitsubishi electric corporation**

HEAD OFFICE : TOKYO BUILDING, 2-7-3, MARUNOUCHI, CHIYODA-KU, TOKYO 100-8310, JAPAN